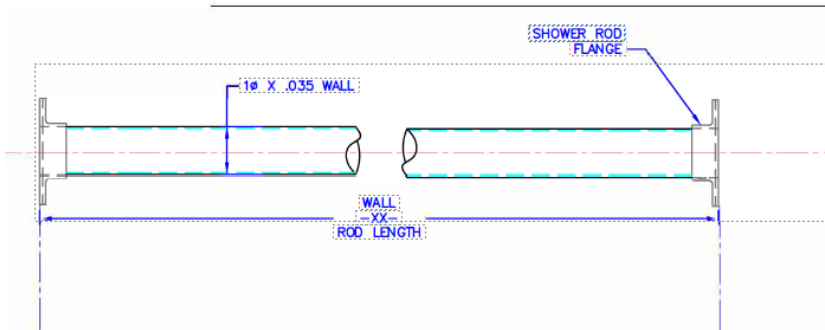


Straight Stainless Steel Shower Curtain Rods



Construction:

TYPE 304 STAINLESS STEEL TUBE, 1" X .035 WALL (20 GAUGE) CUT TO DESIRED LENGTH

Operation:

HOLDS SHOWER CURTAIN

Installation:

TO BE ASSEMBLED WITH MOUNTING OF SHOWER ROD FLANGES, NOT INCLUDED WITH THIS PART NUMBER

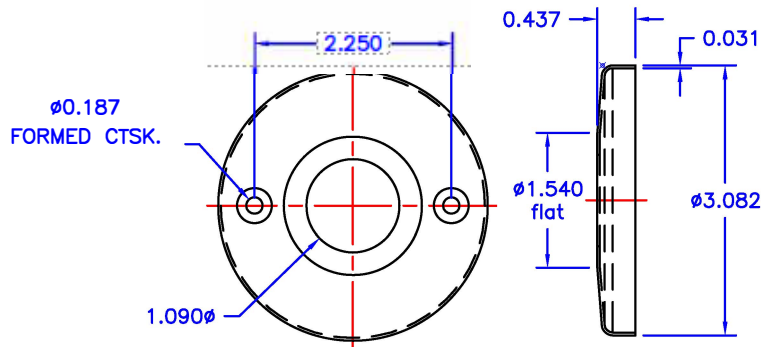
Guide Specification:

TYPE 304 STAINLESS STEEL 1" X .035 WALL (20 GAUGE)

Product ID	Size	Case Pack	Color	Product ID	Size	Case Pack	Color
CR570-36	36"Width	20 each	Bright Stainless Steel	CR570-72	72"Width	10 each	Bright Stainless Steel
CR570-36SS	36"Width	20 each	Satin Stainless Steel	CR570-72SS	72"Width	10 each	Satin Stainless Steel
CR570-60	60"Width	10 each	Bright Stainless Steel	CR570-84	84"Width	10 each	Bright Stainless Steel
CR570-60SS	60"Width	10 each	Satin Stainless Steel	CR570-84SS	84"Width	10 each	Satin Stainless Steel



Flanges for Shower Rods Model #CR570



FINISHES:

- SS- SATIN STAINLESS
- BS - BRIGHT STAINLESS

Construction:

FLANGE: .031 THICK TYPE 304 STAINLESS STEEL FORMED ONE PC, WITH (2) 3/16" MTG. HOLES FORMED CTSK. FDR #10 OVAL HEAD SCREW

Operation:

HOLDS A 1" STRAIGHT SHOWER ROD

Installation:

USE FLANGE AS TEMPLATE TO LOCATE HOLES ON BOTH WALLS. DRILL HOLES, FASTEN ONE FLANGE TO WALL, INSERT ONE END OF SHOWER ROD (NOT INCLUDED) INTO FASTEN FLANGE. SLIDE OTHER FLANGE ONTO SHOWER ROD, POSITION AND FASTEN FLANGE TO WALL.

CAUTION: FLANGES ARE ONLY AS STRONG AS THE ANCHORING DEVICES AND THE WALL ON WHICH IT IS MOUNTED TO

Guide Specification:

HOLDS A 1" SHOWER ROD. TYPE 304 STAINLESS STEEL EXPOSED MOUNT SHOWER ROD FLANGE, INCLUDES ONE PAIR.

Product ID	Color
FLANGES-BS	Bright Stainless Steel Sold in Pairs
FLANGES-SS	Satin Stainless Steel Sold in Pairs

Kartri
SALES COMPANY, INC.